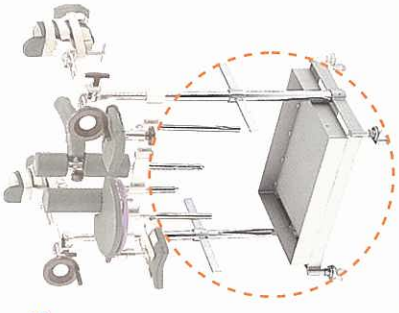


## Extensive selection of accessories.

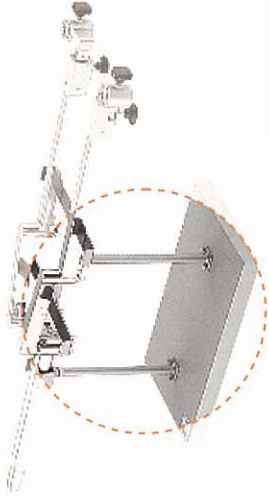
### Cart for Traction Accessories

DR-6100-C  
Allows for compact storage of accessories with the exclusive cart.



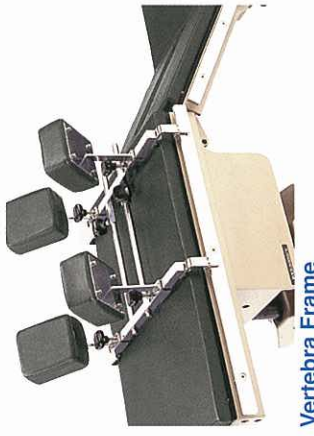
### Cart for Traction

DR-6100-B  
Enables easy mounting and dismounting of the traction device by using the highly mobile wagon. Optional.

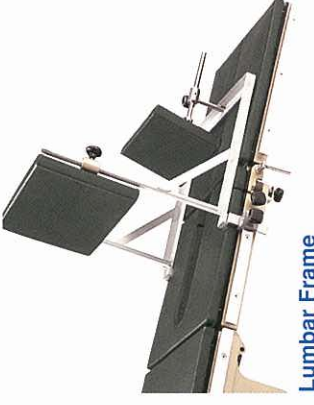


### Operating Table Accessories

Optional Belmont operating table accessories can be easily configured to appropriately support various patient positions.



Vertebra Frame



Lumbar Frame

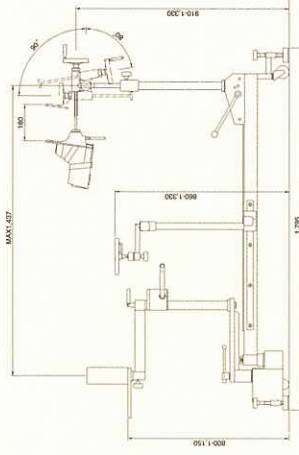


General Purpose Head Support

## DR-6100-L

### TRACTION UNIT

L-shaped traction attachment DR-6100-L  
Combine with the operating table to provide expanded operability and durability.

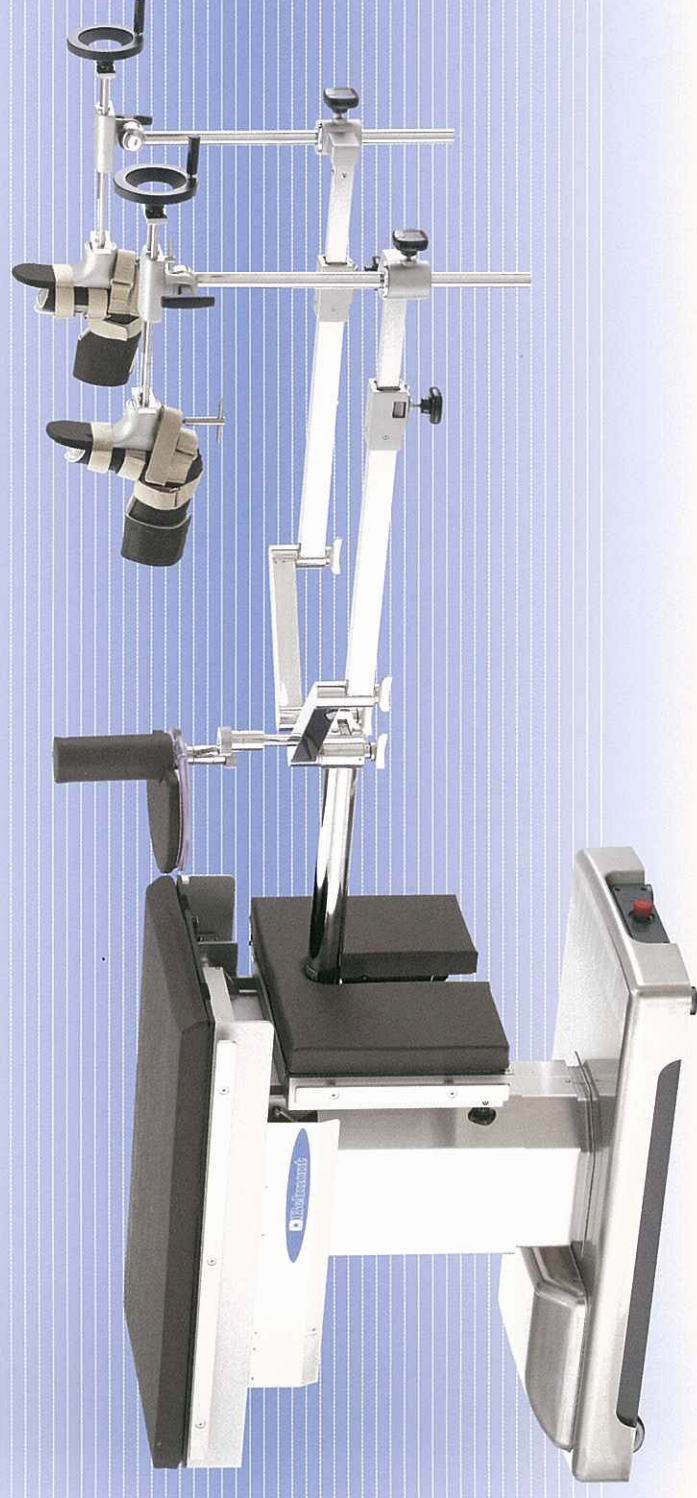


#### SPECIFICATIONS

Traction Arm Angle Adjustment Range---manual operation. Max of 90°for each  
Perineal Post Rotation--- manual operation. Max of 90°for each  
Traction Device Longitudinal Angle---+90°-80°  
Boot Rotation Angle---manual operation. 360°  
Product Weight---159kg

# DR-6200

## ORTHOPEDIC OPERATING TABLE



TAKARA BELMONT CORPORATION  
2-1-1, Higashishinsaibashi,  
Chuo-ku, Osaka, 542-0083, Japan  
TEL : 81-6-6213-5945  
FAX : 81-6-6212-3680

# DR-6200

The DR-6200 can be positioned for fracture surgery by following this simple procedure:

## ORTHOPEDIC OPERATING TABLE



BELMONT's exclusive electro-hydraulic system is utilized for unit elevation, Trendelenburg, reverse Trendelenburg, lateral tilt, pelvic section articulation, and back section sliding.

Level detectors for Trendelenburg, reverse Trendelenburg, lateral tilt, and pelvic section articulation.

Auto-Return-To-Level functionality is also available.



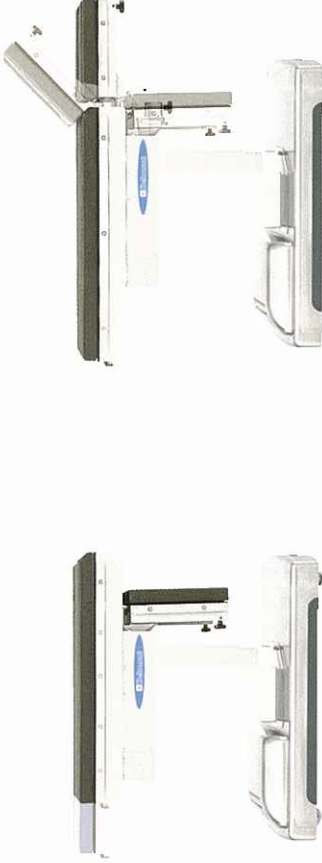
### TRACTION UNIT DR-6200-A (sold separately)

The optional DR-6200-A Traction Unit can be mounted to the DR-6200 main unit.

### BACK SECTION SLIDING (20cm)

The back section slides an electrically driven 20cm.

With the Pelvic Section articulated and locked down, an Image Intensifier can be easily positioned, and casts can be set.



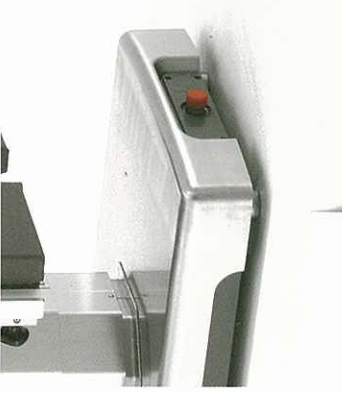
### PELVIC SECTION ARTICULATION

### HANDSWITCH CONTROLLER

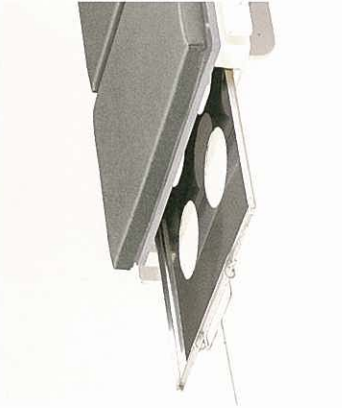


Safety-conscious 12DC is low voltage, and the slim, lightweight remote control with icons ensures even greater operability.

### EMERGENCY STOP SWITCH



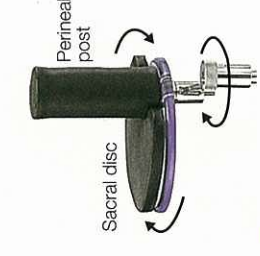
### BUILT-IN CASSETTE TUNNEL



Cassette tray (sold separately)

### STEP 1

Preset the sacral disc below the Pelvic section. After the preoperative treatment, install the Perineal post.



### Sacral disc and Perineal post

Rotation is smooth and light, and the sacral and Perineal post can be precisely set for x-rays.

### STEP 2

Fix the patient's foot in the boot.



### Boot

Rotation, both clockwise and counterclockwise, and angle can be individually adjusted for superior operability and precise positioning.

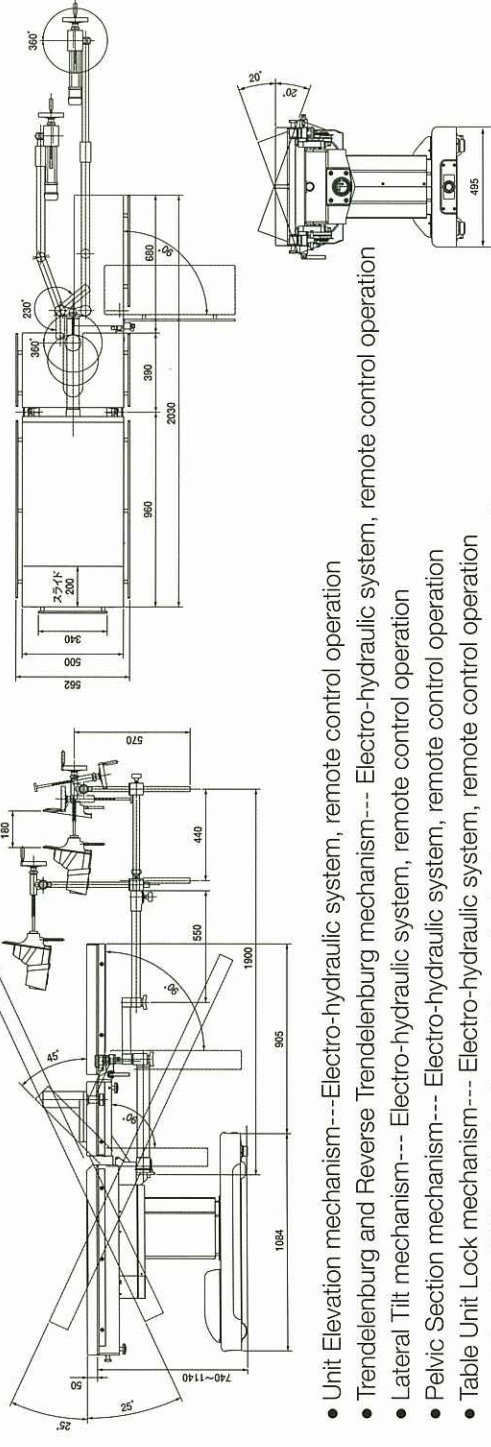
### STEP 3

After removing the Leg sections, articulate the pelvic section 90 degrees with the hand switch controller.

### STEP 4

Adjust the traction unit and rotate the sacral disc to line up with the radiolucent area.

## SPECIFICATIONS



- Unit Elevation mechanism---Electro-hydraulic system, remote control operation
- Trendelenburg and Reverse Trendelenburg mechanism--- Electro-hydraulic system, remote control operation
- Lateral Tilt mechanism--- Electro-hydraulic system, remote control operation
- Pelvic Section mechanism--- Electro-hydraulic system, remote control operation
- Table Unit Lock mechanism--- Electro-hydraulic system, remote control operation
- Back Section Sliding Mechanism--- Electro-hydraulic system, remote control operation
- Leg Section Splitting mechanism--- Manual operation
- Level Detection---Trendelenburg, reverse Trendelenburg, pelvic section
- Auto-Return-To-Level mechanism--- Trendelenburg, reverse Trendelenburg, lateral tilt, pelvic section
- Cassette Tray ---Built-in cassette tunnel
- Rated Voltage---AC. 110V/ 120V/ 220/ 230/ 240 V
- Operating Voltage---DC-12V
- Product Weight---Table unit 320kg/ Traction unit 56kg (accessories are not included)