

Allengers

Passion for excellence



Think future
..... Go digital



Multi-functional
Digital
Radiography System
MobilX^{DR}

Radiography Room on Wheels



ABOUT US

Welcome to the world of Allengers, a world that understands your needs, a world that actually cares. Allengers, an Indian MNC, National Award Winner - Quality Products from the Prime Minister of India, is a leading manufacturer covering a wide spectrum of medical diagnostic equipments.

Allengers, years of expertise in imaging solutions, coupled with innovative research, results in providing a cost effective, dynamic, compact, mobile and portable digital radiography solutions to the medical world.

Allengers MobilX^{DR} Series, a state-of-the-art battery powered, motor assisted **Mobile DR** can be easily maneuvered due to its compact design and effortless movements.

MobilX^{DR} Provides:

Optimized clinical workflow,

High resolution **instantaneous** image display,

Rapid interpretation and selection of examination

parameters through **17" large touch screen panel**

and **Efficient work flow and** archiving.



Compact & Elegant Design



SPECIAL FEATURES

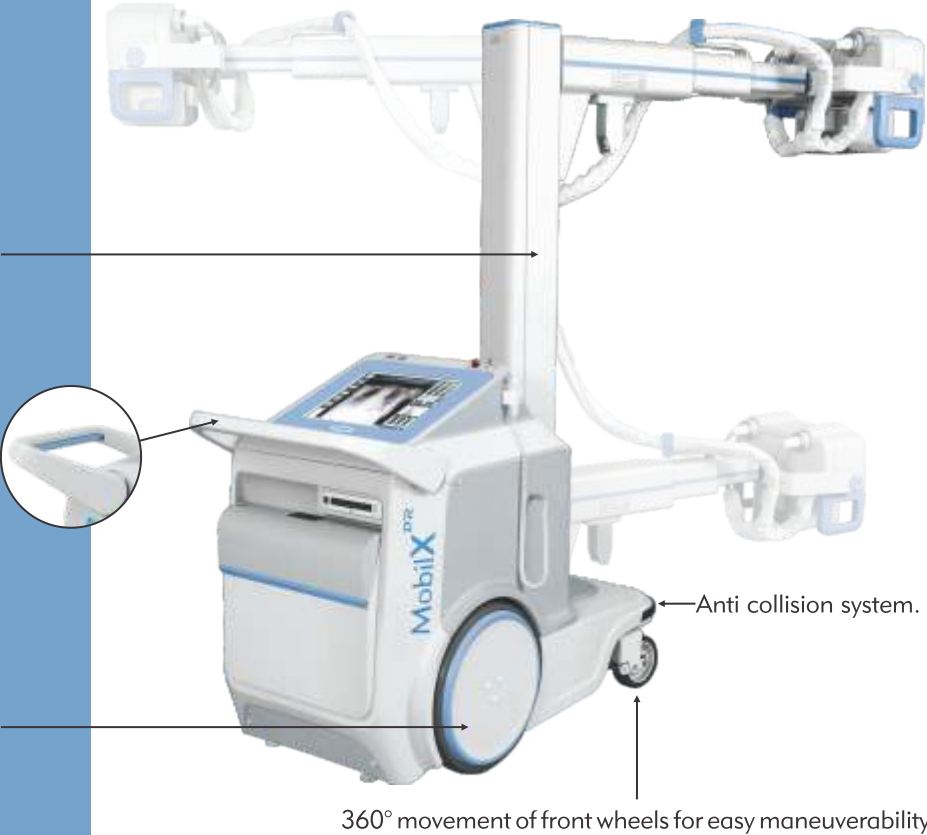
- Removable grid.
- Wi - Fi (wireless) detector.
- 2 point / 3 point exposure technic.
- Lockable chamber for wi-fi detector.
- Dual speed movements for better control.
- User friendly touch screen operating console.
- Customer specific unlimited APR programming.
- Battery powered, motor assisted noise free movements.
- 360° rotation of equipment without disturbing its center.
- Mobile DR can be synchronized with existing hospital network.
- 15/20/32/40/50 KW high frequency generator for least radiation.
- Full system integration (no separate control for X-Ray generator).
- Separate power pack for X-Ray generator, motor drive and console PC.
- Inch move controls for precise positioning of the equipment with respect to the patient.

Designed for Mobility

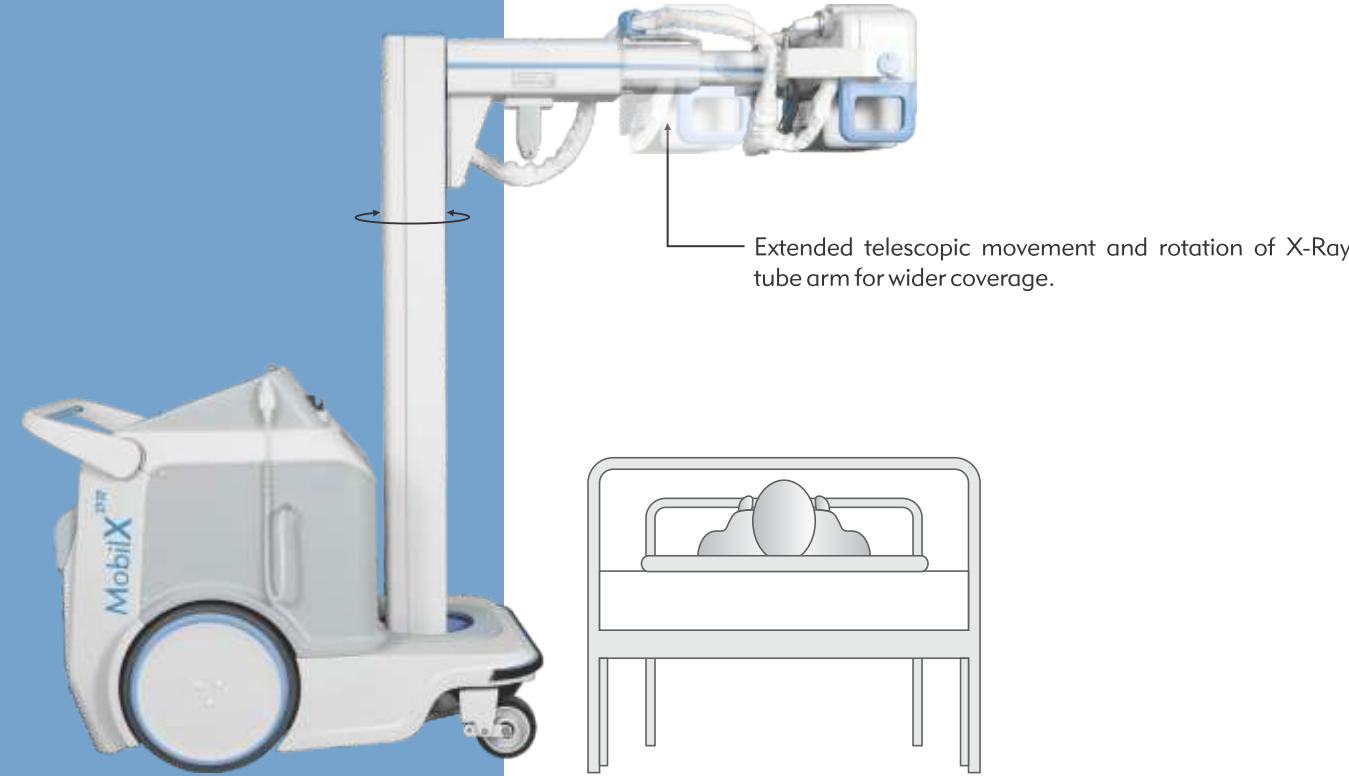
Spring balance auto locking facility in case of electro magnetic switch malfunction.

Dead Man Switch to lock movements of the equipment when not in use.

Easy, jerk free, noise free, battery assisted movement with optimal weight distribution and large wheel diameter.



360° movement of front wheels for easy maneuverability.





Inch move controls for precise positioning of equipment with respect to the patient.

Single touch, all locks release for easy positioning of tube arm.

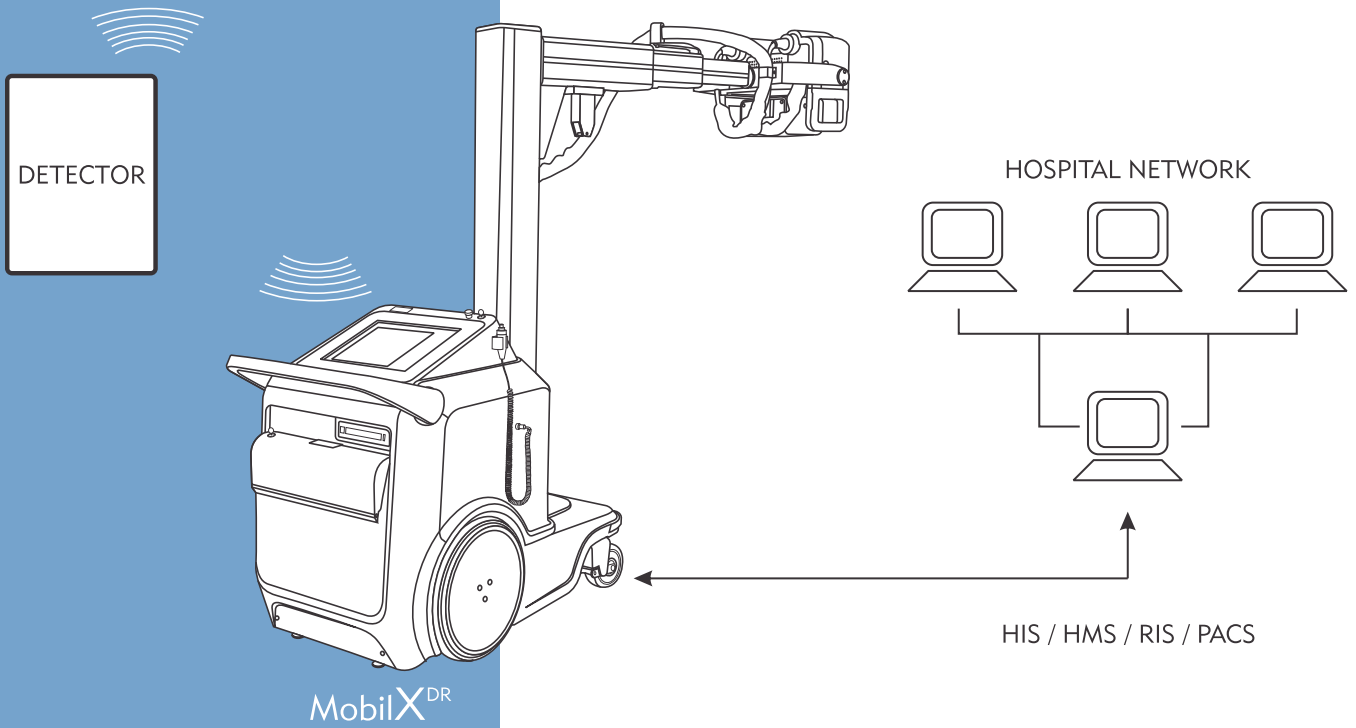


Versatile rotatable tube head and collimator



A retractable tape meter, for easy SID measurement.

Designed for Convenience



17" large touch screen for easy patient registration and image viewing



Anatomical programming for operator's convenience



Instant image review



Dose Area Meter (optional)



Wi-Fi Wireless Detector

MAJOR DETECTOR SPECIFICATIONS

Detector Type	Wi-Fi (wireless) Detector
Technology	Amorphous Silicon
Conversion screen	CsI/Gadolinium Oxysulphide (Gd ₂ O ₂ S:Tb)
Pixel Pitch	139 μm
A/D Conversion	14 bits
Weight	3.9 Kg
Size	14 " x 17" / 36 cm x 43 cm

Display & Controls



User friendly 17" large touch screen operating console for easy work flow and images review



Low X-Ray tube position



Light weight, wi-fi detector for convenience

Large diameter rear wheels 360° moveables front wheels for optimal weight distribution with shock absorber for and easy mobility



Anti collision system



2 step push switch + IR remote for exposure



MobilX^{DR} Advantages

- Perfectly dry film printing (no chemicals).
- Post processing adds more to the image quality.
- No input power required for taking an exposure.
- Complete digital radiography solution on wheels.
- No physical movement of cassettes (faster operation).
- Superb image quality due to fine pixels and high contrast range.
- Efficient and user friendly work flow due to DICOM based system.
- Battery powered, motor assisted movements for easy maneuverability.
- Wide dynamic range (soft tissues and hard bones can be seen together).
- Digital image processing (overcomes errors in exposure factors selection).
- Preview image is available in less than 3 seconds (no long wait for patient).
- Easy to connect with existing HIS/HMS/RIS/PACS in a hospitals environment.

MAJOR TECHNICAL SPECIFICATIONS

MODEL	MARS 15 DR	MARS 20 DR	MARS 32 DR	MARS 40 DR	MARS 50 DR
Series	MobilX ^{DR}	MobilX ^{DR}	MobilX ^{DR}	MobilX ^{DR}	MobilX ^{DR}
KVP	125	125	125	125	125
mA	200	320	500	500	500
mAS	500	500	500	500	500
KW	15KW	20KW	32KW	40KW	50KW
Tube	E-7239X } E-7242X } Toshiba E-7252X } A-192 - Varian	E-7239X } E-7242X } Toshiba E-7252X } A-192 } Varian A-292 }	E-7242X } Toshiba E-7252X } A-192 } Varian A-292 }	E-7242X } Toshiba E-7252X } A-192 } Varian A-292 }	E-7242X } Toshiba E-7252X } A-192 } Varian A-292 }
Max. Exposure Time	10 Sec	10 Sec	10 Sec	10 Sec	10 Sec
Console	17" Large Touch Screen	17" Large Touch Screen	17" Large Touch Screen	17" Large Touch Screen	17" Large Touch Screen
Input Power	230 AC, 15Amp	230 AC, 15Amp	230 AC, 15Amp	230 AC, 15Amp	230 AC, 15Amp
AERB Certificate	AERB/12/31	AERB/12/32	AERB/12/33	AERB/12/33	AERB/12/33

ALLENGERS MEDICAL SYSTEMS LTD.

S.C.O. 212-213-214, Sector 34-A, Chandigarh-U.T. 160 022 (India)

DOMESTIC SALES :

Ph : +91 172 6618000-99, 2621913

Fax : +91 172 2621912

E-mail : sales@allengers.net

INTERNATIONAL OFFICES :

FOR AFRICA :

Allengers Medical Systems Africa (Pty) Ltd

Unit 4A & 4B, 10 Maplefield Place, Springfield Park,

Durban 4000, P.O. Box 5642

Ph : +27 31 5793174, +27 73 9862437 Fax : +27 31 5793055

E-mail : allengers.africa@allengers.net

Please visit www.allengers.com for more information

INTERNATIONAL SALES :

Ph : +91 172 6618081, 6618082

Fax : +91 172 2621912

E-mail : exports@allengers.net

FOR EUROPE :

MICHIELS SA (Mr. Christoph Michiels)

Luitberg 2, 1853 Strombeek-Bever,

Belgium

Ph : +32 2 325 13 65 (Direct)

E-mail : cmi@michiels.be

Toll Free No. 1800-266-8800 (India)

Quality, System
& Safety
Certifications



ISO 9001:2008



ISO 13485:2003
EN ISO 13485:2012



AERB APPROVED

For detailed technical specifications, please refer to the respective product data sheets / quotation.

Due to continuous product improvements, specifications and appearance are subject to change without prior notice.